

EXTENDING ETHERNET UP TO 13KM

The XSLAN+ family of SHDSL switches enables the connection of remote Ethernet networks using a simple copper pair in order to reach data rate up to 15Mbps.

A large range of Ethernet extenders is offered: Point-to-point, multipoint, 4 SHDSL lines concentrator.

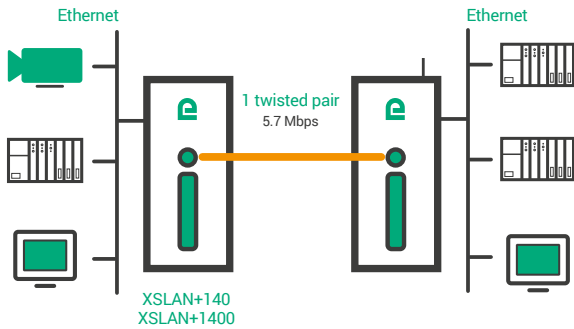
SHDSL Switch

- From 1 to 4 SHDSL ports
- From 2 to 4 Ethernet ports
- **Serial gateway (option)** (RS232 and RS485)
- **Latency: 2 ms**
- **IP router**
- **SNMP, QoS Diffserv**
- **Bypass feature**
- **Failsafe ring** (RSTP or proprietary protocol)
- **Auto negotiation**
- **Configuration & diagnostic via web page**



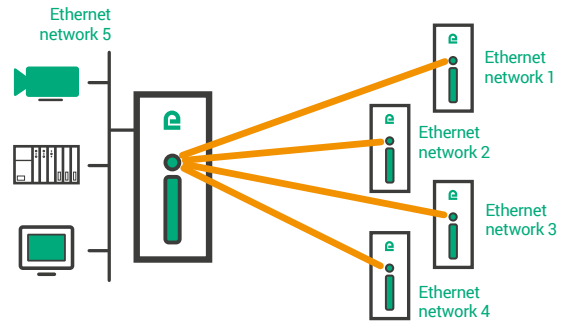
A "PLUG AND PLAY" MODEL

Activation of a point to point connection via 8 DIP switches (XSLAN+140) or web page (XSLAN+1400).



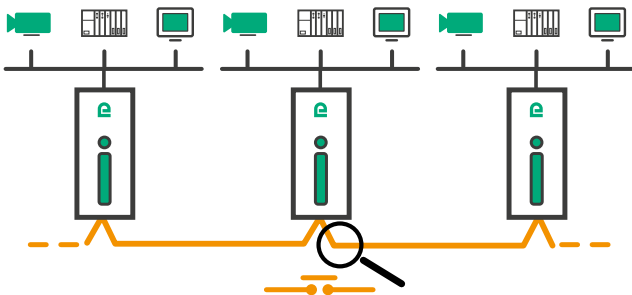
SHDSL LINE CONCENTRATOR

XSLAN+4200 is a 4 lines concentrator to interconnect 4 remote Ethernet networks. The XSLAN+XXX does concentrate 2 lines.



DAISY CHAIN NETWORK

The XSLAN+2400 can be used to build a daisy chain topology via a copper pair.



"The By-Pass"

The "By-Pass" feature is used to close the line (electro-mechanical relay) when the XSLAN+ is switched off. The daisy chain is thus not cut.

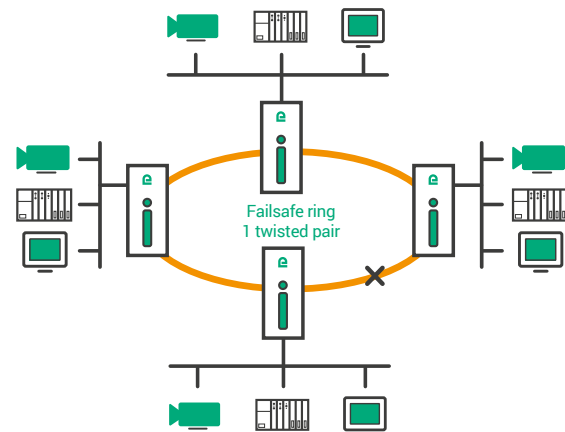


Auto-negotiation

This configuration mode can be used to quickly plug the XSLAN+ to the copper pair without knowing the XSLAN+ status (master or slave).

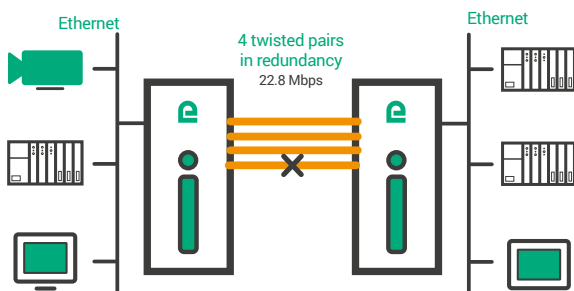
FAILSAFE RING

XSLAN+ is working with RSTP or Etic Telecom protocol in order to build any type of topology with redundancy.



SHDSL LINE AGGREGATION TO INCREASE DATA RATE AND SECURITY

XSLAN+2xxx and XSLAN+42xx can aggregate SHDSL lines to increase the data rate or to offer a line backup.



Loop VPN for secured ring

When the SHDSL network forms a daisy chain and when it is not possible to form a secured ring, the "loop VPN" function allows a network redundancy if an Internet or a private (MPLS) connection is available at each end of the SHDSL network.

SELECTION GUIDE



XSLAN+	140	1400	1220	1230	2400	2220	2230	4200
Number of SHDSL ports	1	1	1	1	2	2	2	4
Aggregated max. data rate diam. 0.9 mm 3.7 km - Mbps	5.7	5.7	5.7	5.7	11.4	11.4	11.4	22.8
Aggregated max. data rate diam. 0.9 mm 0.7 km - Mbps	15	15	15	15	30	30	30	60
SHDSL concentrator					2 ports	2 ports	2 ports	4 ports
SHDSL line aggregation					✓	✓	✓	✓
Number of Ethernet ports 10/100BT	4	4	2	2	4	2	2	2
Serial port RS232			1	2		1	2	
Serial port RS485			1	0		1	0	
2 power inputs		✓	✓	✓	✓	✓	✓	✓
Galvanic isolation	✓	✓			✓			✓
"Plug & Play" installation (DIP switch)	✓							
Configuration via web server		✓	✓	✓	✓	✓	✓	✓
Diagnostic via web server	✓	✓	✓	✓	✓	✓	✓	✓
SNMP administration		✓	✓	✓	✓	✓	✓	✓
IP routing, QoS Diffserv		✓	✓	✓	✓	✓	✓	✓
VLAN (up to 60)		✓	✓	✓	✓	✓	✓	✓
By-Pass (option)	0	0	0	0	1	1	1	1
RSTP or Etic Telecom protocol		✓	✓	✓	✓	✓	✓	✓
Auto-negotiation (STU-C/STU-R)	✓	✓	✓	✓	✓	✓	✓	✓

TECHNICAL CHARACTERISTICS

GENERAL CHARACTERISTICS	
Dimensions	136 x 47 x 142 mm (h,l,p)
Weight	Between 660 and 740 g depending on model (without packaging)
Power	<ul style="list-style-type: none"> XSLAN+1220, 2220, 4220 : 10-30 VDC (nominal : 12-24 VDC) Others XSLAN+ : 10-60 VDC (nominal : 12-48 VDC) Phoenix connector 2 points Isolation : 1500 V
Consumption	<ul style="list-style-type: none"> XSLAN+1XXX : 5 W XSLAN+2XXX : 6 W XSLAN+4XXX : 9 W
Temperature	-40°C / + 70°C (Humidity 5 to 95 %)
CEM	Immunity (EN 61000-6-2) <ul style="list-style-type: none"> EN61000-4-2 : Electrostatic discharge (ESD) EN61000-4-3 : RF radiated EN61000-4-4 : EFT/Burst EN61000-4-5 : Surge EN61000-4-6 : RF Conducted Emission (EN 61000-6-4) <ul style="list-style-type: none"> EN55022 : Radiated and conducted emission
Electrical Safety	EN60950
Hazardous substances	<ul style="list-style-type: none"> Directive 2002/95/CE (RoHS) REACH
Casing	Metallic IP20 with DINRail mounting
SHDSL TRANSMISSION	
Cable	1 copper pair (shielding and diameter between 0.4mm and 1mm is recommended)
Connector	Phoenix connector (2 points)
Isolation	1500 V
Data rate for 1 pair	<ul style="list-style-type: none"> 192 Kb/s up to 15.2 Mbps SHDSL modulation bis ITU-T G.991.2 (2005) data rate adaptation: automatic or configurable up to 60km on coax cable
Latency	2ms between Ethernet ports of 2 SHDSL switches (Ethernet frame of 100b at 5.7 Mbps)
DISTANCE AND DATA RATE ON A TWISTED PAIR (Estimated values without noise)	
Data rate	192Kb/s 1.15Mbps 2.3Mbps 5.7Mbps
Distance (Ø 0.9 mm)	13Km 8Km 6Km 3.7Km
Distance (Ø 0.4 mm)	7Km 4Km 3Km 2Km
DISTANCE AND DATA RATE ON A TWISTED PAIR (Estimated values without noise)	
Data rate	6.7Mbps 10Mbps 12Mbps 15Mbps
Distance (Ø 0.9 mm)	2.5Km 1.5Km 1Km 0.7Km
Distance (Ø 0.4 mm)	1.3Km 0.9Km 0.6Km 0.4Km
ETHERNET FEATURES (LEVEL 2)	
Ethernet	<ul style="list-style-type: none"> RJ45 Auto: 10/100 full & half MDI/MDI-X
SHDSL Ethernet	802.3ah : 2BaseTL
Switch	Store and forward
VLAN	VLAN via port IEEE 802.IQ
MAC Filter	Destination MAC adress filter
Redondant network	Protocol VRRP RFC 3768 and Failsafe Ring
IP FEATURES (LEVEL 3)	
IP Adress	IPV4 and IPV6
SNMP	<ul style="list-style-type: none"> SNMP V2 RFC1213 MIB II HDLSL2-SHDSL-LINE-MIB HOST-RESOURCES-MIB IF-MIB IP-MIB BRIDGE-MIB
QoS	DiffServ - 5 priority levels management depending on traffic
IP Routing	<ul style="list-style-type: none"> Ip routing between LAN interface and SHDSL interface 25 static routes RIP V1 and V2 Adress translation
SERIAL GATEWAY	
Serial link	2 serial links (RS232 and RS485)
Connectors	<ul style="list-style-type: none"> RS232 : RJ45 2 pts RS485 : removeable 2 points connector
Data rate	1200 up to 115 200b/s
Gateway	<ul style="list-style-type: none"> Raw TCP client & server UDP (unicast or towards broadcast list) Multicast, Telnet Modbus Master & Slave, Unitelway Slave
DIGITAL INPUT AND OUTPUT	
Digital Input	<ul style="list-style-type: none"> 1 input value 0 < 1 V and 1 > 3 V Removeable connector
Digital Output	<ul style="list-style-type: none"> 1 output voltage / max. current : 54 VDC / 0,5A Removeable connector
SYSTEM AND CONFIGURATION	
Configuration	Web server (configuration and diagnostic)
Backup	<ul style="list-style-type: none"> Configuration file backup Editable text file
Date and hour	NTP client and server
Upgrade firmware	Locally or via the SHDSL link
LOG	Last 300 events. Syslog

Since 1985, Etic Telecom designs and markets industrial telecom solutions to interconnect machines with each other.

Etic Telecom is dedicated to the supply of safe, simple and sustainable products (3S).



13, chemin du Vieux Chêne
38240 Meylan
Tél. +33 (0)4 76 04 20 00
Fax. +33 (0)4 76 04 20 01
www.etictelecom.com